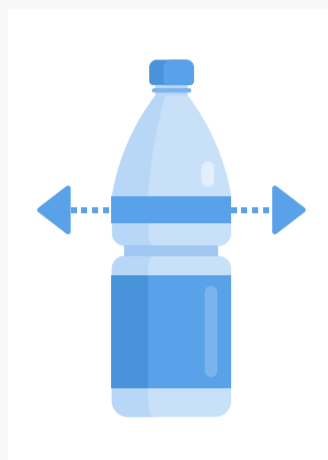


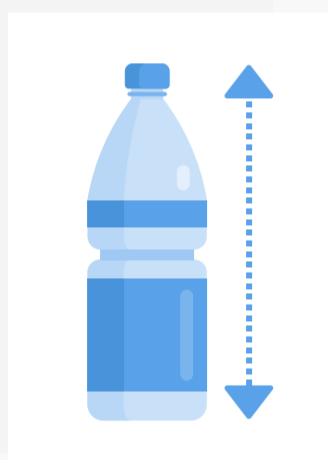
BEVMAX GUIDELINES

BevMax is capable of vending a wide variety of package types. Below are guidelines. For proper vend reliability, package specifications and samples should be provided.



PRODUCT WIDTH

- **Standard Product Diameter Range = 2.25" - 2.90" (5.715 cm - 7.417 cm)** Products inside this range should vend without a shim.
- **Minimum Product Diameter Range = 2.085" (5.296 cm)** Products close to the minimum diameter may require a shim.
- **Maximum Product Diameter Range = 2.90" (7.417 cm)** Products over maximum diameter will not vend.

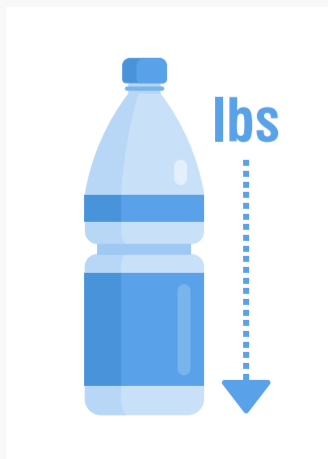


PRODUCT HEIGHT

- **Maximum Height with current tray spacing = 9.60" (24.38 cm)** Products above 9.60" need custom tray rails. Products above 10" must be tested.

Current tray spacings available:

BevMax 5800 D2 Tray Spacing (panelized)				BevMax 5800 E3 Tray Spacing (panelized)				BevMax 5800 D8 Tray Spacing (panelized)						
Tray	Tray Spacing		Max Bottle Height		Tray	Tray Spacing		Max Bottle Height		Tray	Tray Spacing		Max Bottle Height	
A	9.22in	23.42cm	9.12in	23.16cm	A	9.61in	24.41cm	9.51in	24.16cm	A	9.10in	23.11cm	9.00in	22.86cm
B	9.40in	23.88cm	9.30in	23.62cm	B	9.70in	24.64cm	9.60in	24.38cm	B	9.43in	23.95cm	9.33in	23.70cm
C	9.40in	23.88cm	9.30in	23.62cm	C	9.70in	24.64cm	9.60in	24.38cm	C	9.43in	23.95cm	9.33in	23.70cm
D	9.40in	23.88cm	9.30in	23.62cm	D	9.70in	24.64cm	9.60in	24.38cm	D	9.43in	23.95cm	9.33in	23.70cm
E	9.40in	23.88cm	9.30in	23.62cm	E	8.13in	20.65cm	8.03in	20.40cm	E	9.43in	23.95cm	9.33in	23.70cm



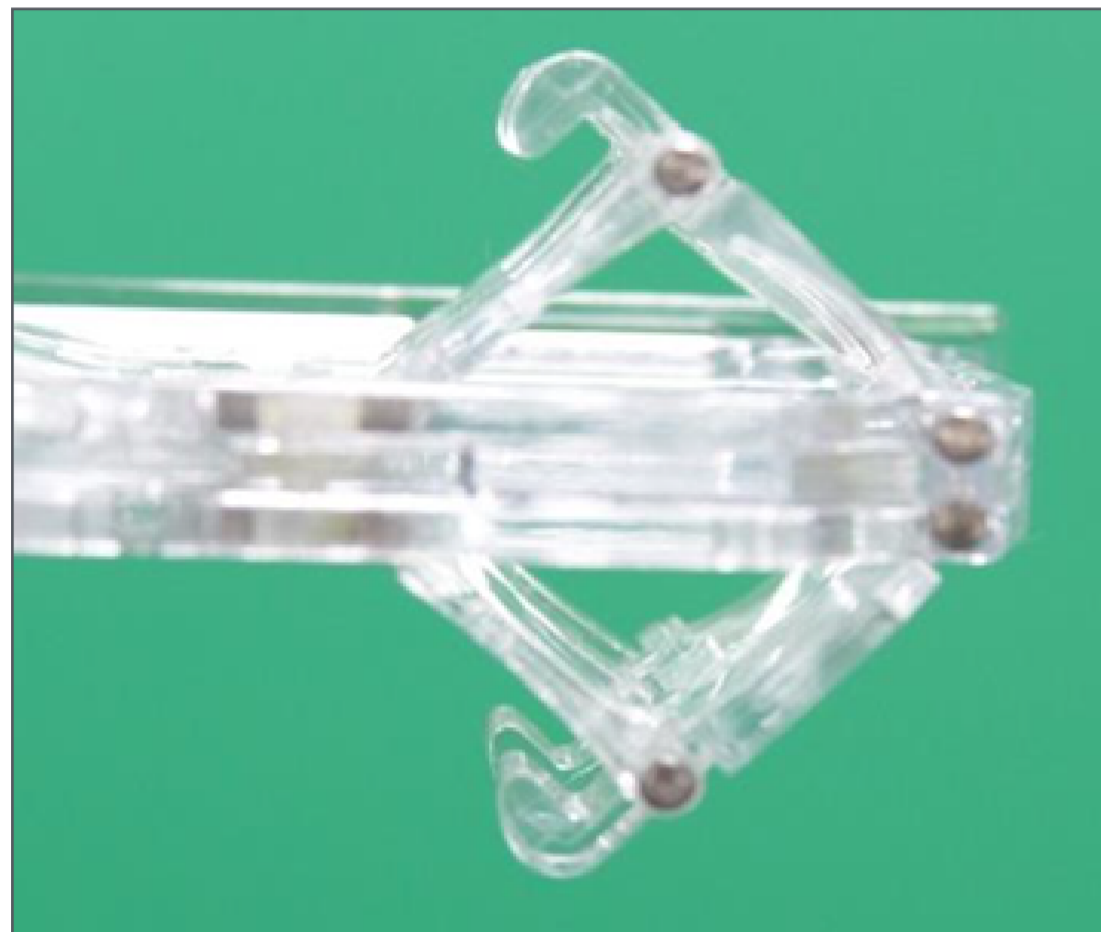
PRODUCT WEIGHT

- **Maximum Product Weight = 2lbs (40oz)** Packages over this weight need testing. Top heavy or packages that are prone to tipping should be identified and tested to ensure proper reliability.

BEVMAX - PRODUCT SPECIFIC ENHANCEMENTS

To maximise reliability, BevMax has options for both Gate Type and Cup Deflectors

GATES



ROUND GATE / LEGACY GATES

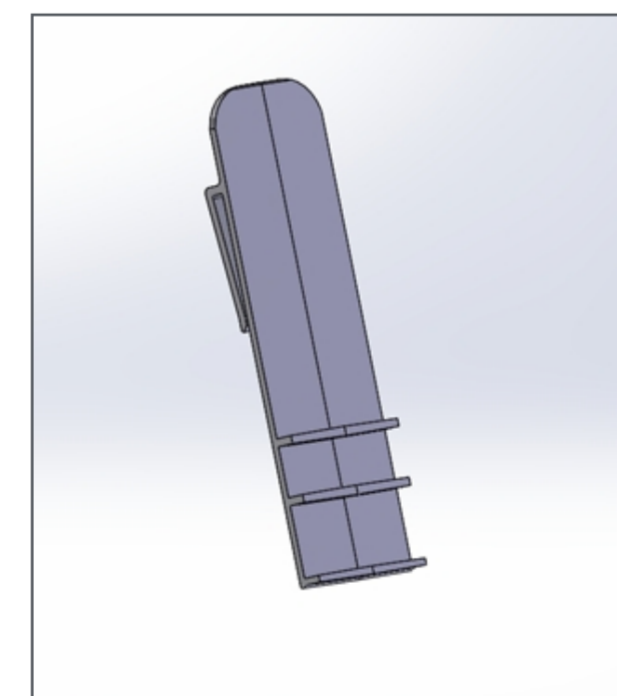
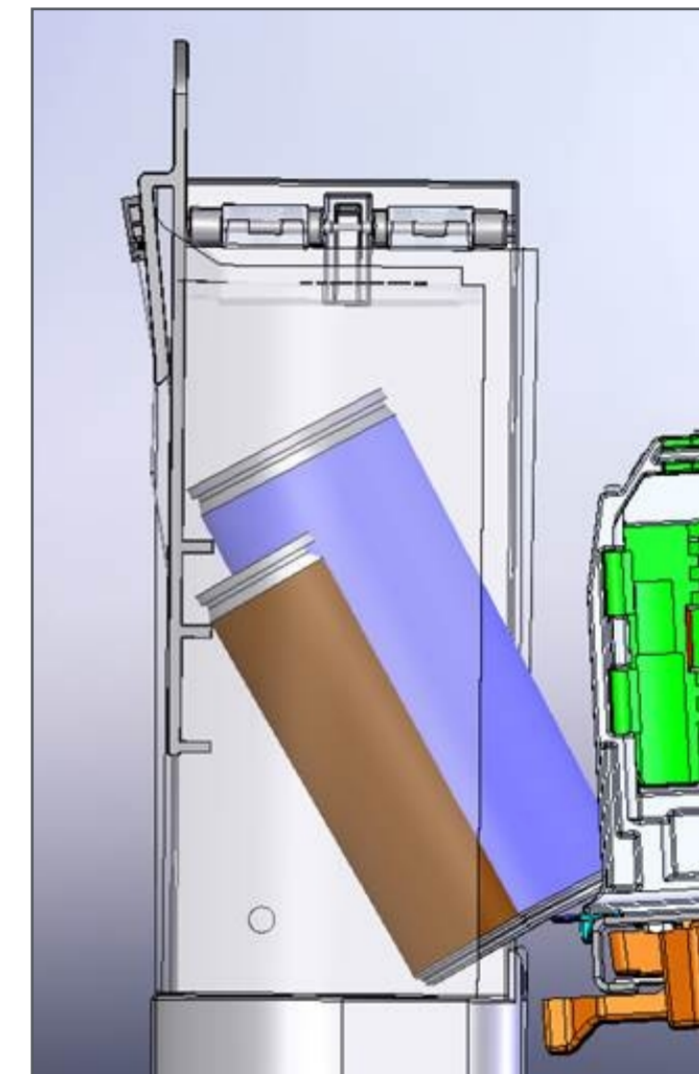
- Cylindrical packages without ribs or bumps
- Smaller diameter cans



SQUARE GATE / STANDARD GATES

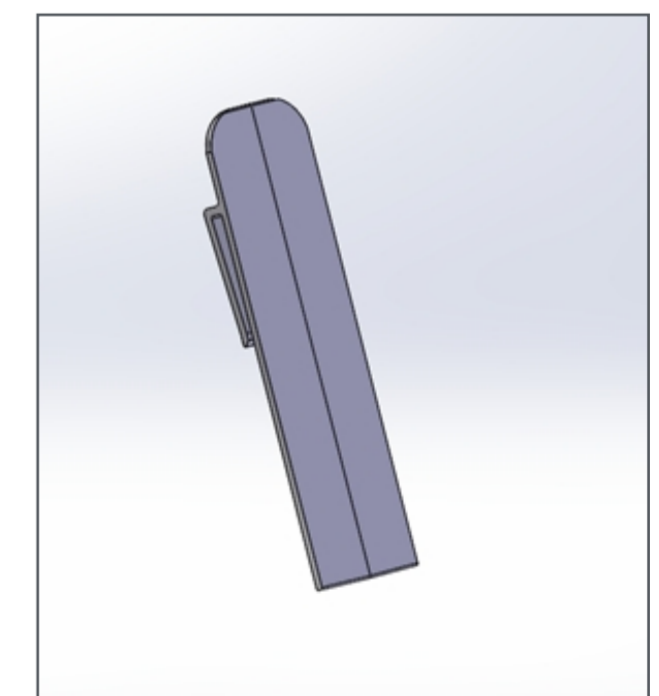
- Non cylindrical packages
- Packages with loose labels
- Packages with ribs or bumps

CUP DEFLECTORS



RIBBED

Smaller, short products



SMOOTH

Taller, larger products